

NOTES:

- A. USE M4 HARDWARE FOR MOUNTING.
- B. BEFORE CHANGING GRIP RANGE LOOSEN ADJUSTING NUT.
- C. THREAD SIZE OF HOOK IS M5.

REV	DATE	DRAWN/CHKD	DESCRIPTION	PART NUMBER
I	16APR2007	BWR/MDY	PRN: P2007-0521	91-SX2-YY
J	21MAR2012	ACH/SMH	PRN: P2012-0385	
K	02APR2014	CMS/MGG	PRN: P2014-0655	
L	23OCT2018	CMS/CB1	PRN: P2018-2441	

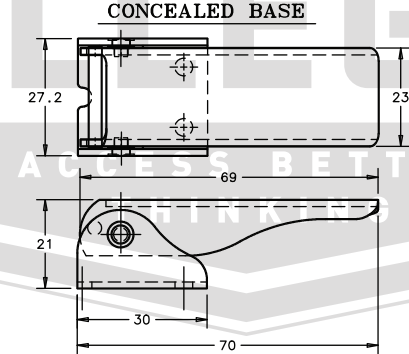
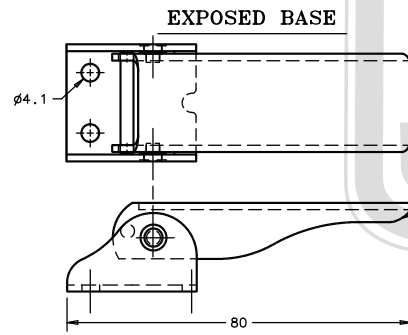
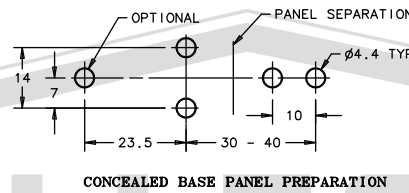
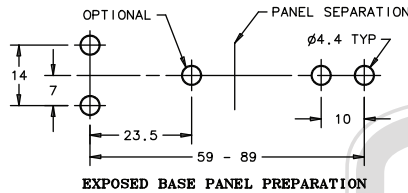
**X= BASE**

- 1: CONCEALED
- 2: CONCEALED, SECONDARY CATCH
- 3: CONCEALED, PADLOCK HASP
- 5: EXPOSED
- 6: EXPOSED, SECONDARY CATCH
- 7: EXPOSED, PADLOCK HASP

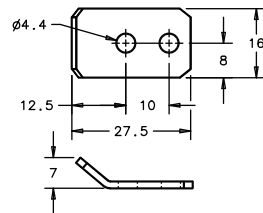
**YY= MATERIAL AND FINISH**

- 07: STEEL, ZINC PLATE BRIGHT
- 25: STAINLESS STEEL, BLACK E-COAT AND POWDER (HOOK AND NUT: STAINLESS STEEL, BLACK OXIDE)
- 52: STAINLESS STEEL, PASSIVATED
- 63: STAINLESS STEEL, BLACK OXIDE

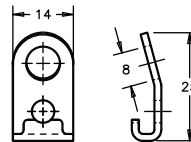
**PANEL PREPARATION**



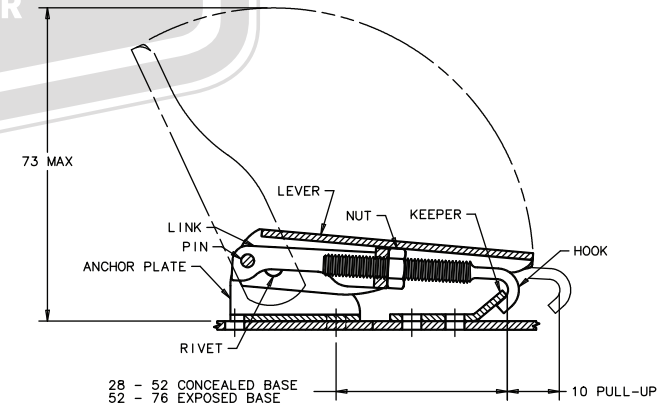
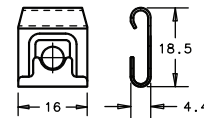
KEEPER PART NUMBER	
FINISH	HOOK STYLE KEEPER (CONCEALED)
STEEL, ZINC PLATE BRIGHT	91-600-07
STAINLESS STEEL, PASSIVATED	91-600-52
STAINLESS STEEL, BLACK OXIDE	91-600-63



**PAD-LOCKABLE HASP**



**SECONDARY CATCH**



**ALLEGIS**

1-866-378-7550

MATERIAL:

Steel

DRAWING NO.:

91-512-07

FINISH:

Zinc Plate, bright chromate

REV.:

1:1

DATE:

5/29/2019